

Name: \_\_\_\_\_

7R

Date: \_\_\_\_\_

Classwork 11.6

## Area of Composite Figures

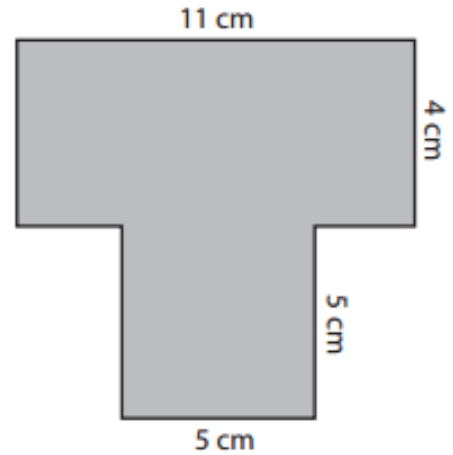
### **Example #1:**

Find the area of the composite figure. Show all of your work.

**Step 1: Break** the composite figure into individual shapes.

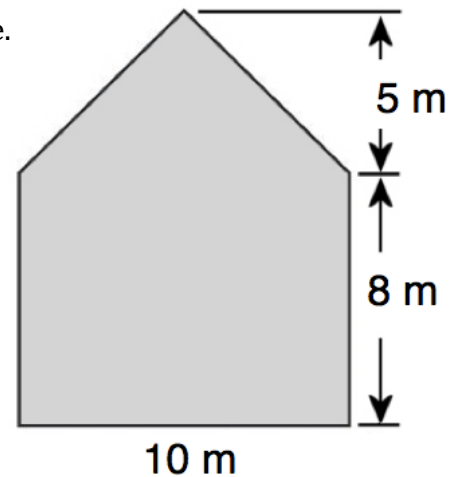
**Step 2:** Find the **area** of each piece.

**Step 3:** Find the **sum** of the areas.



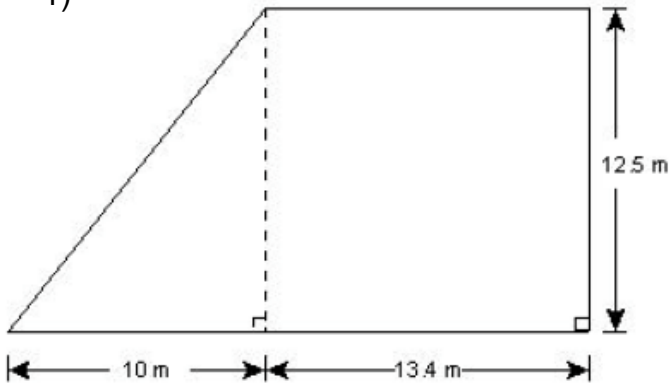
### **Example #2:**

The figure is made up of a triangle and a rectangle, find the area of the figure.

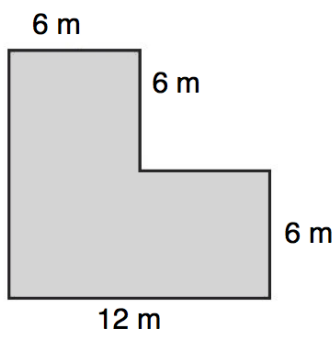


**On your own:** Find the area of the figures shown below. *Show your work.*

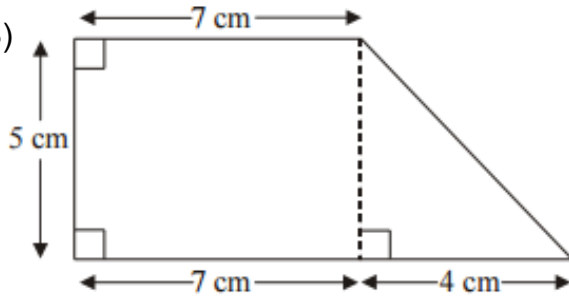
1)



2)



3)



4)

